

Energy-Saving Hydraulic Power Unit

HTP SERIES

Autonomous Variable Discharge Type

◎ *Economy*

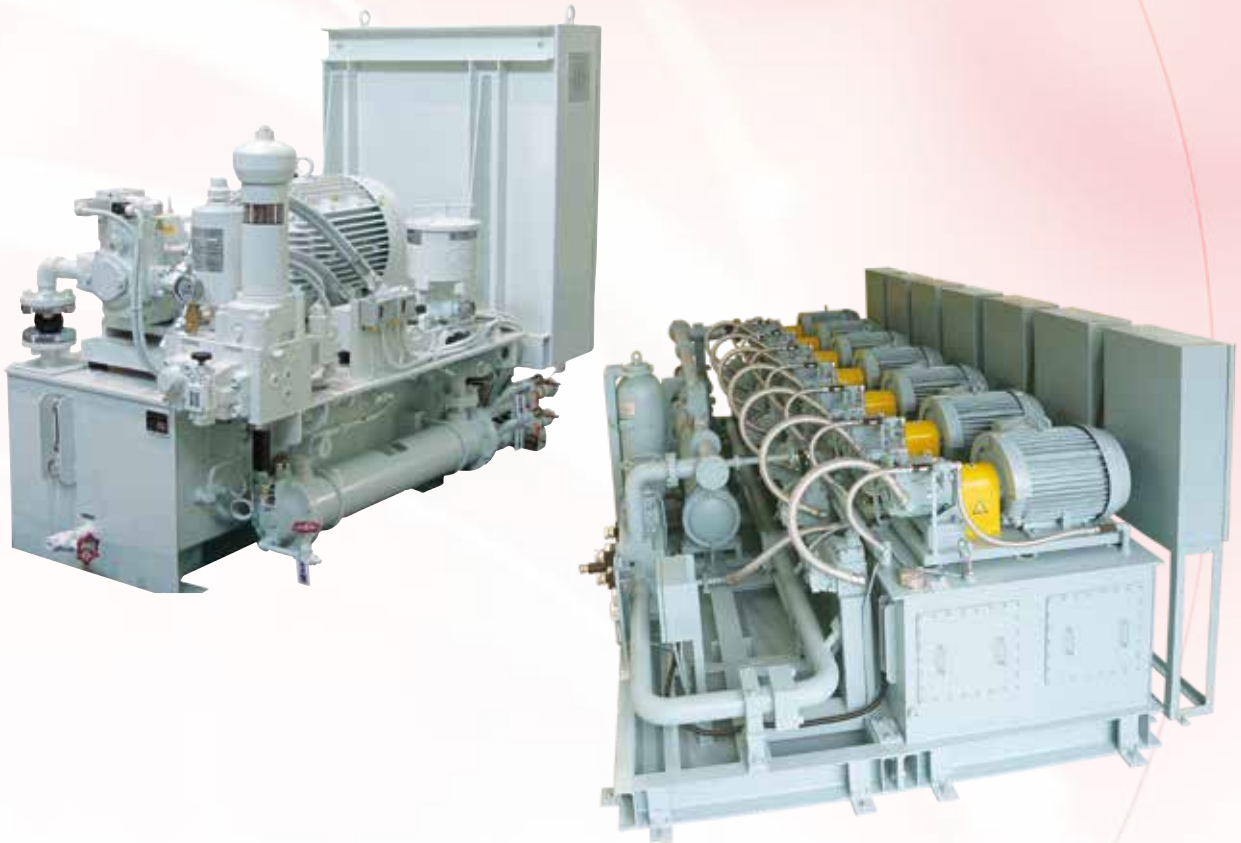
Provides reduced running costs and lower CO₂ emissions.

◎ *Efficient*

Autonomous pump delivery control for more efficient operation

◎ *Responsive*

Quick response to actuated waveform by sudden flow fluctuations

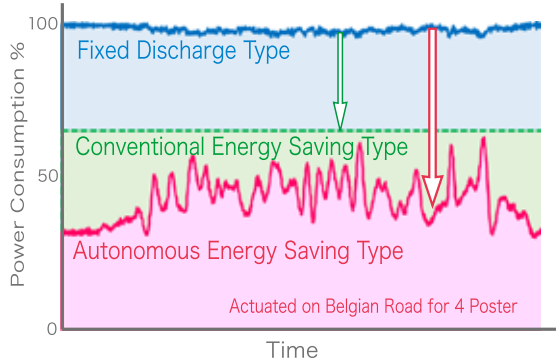


Energy-Saving Hydraulic Power Unit

Feature

On demand control

This model can deliver required flow effectively, reduce unnecessary power consumption and respond quickly to actuated waveform by sudden flow fluctuations.

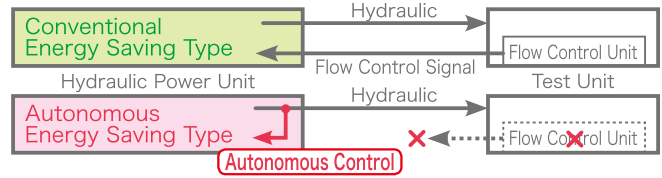


* Reduction effects differ depending on unit and test conditions.

Can comply with actuated waveform by sudden fluctuations on energy saving type

Autonomous Control

Widely available for renewal of existing hydraulic unit and centralized hydraulic unit as this model employs autonomous control system without flow control signal from test system.



Energy Saving Case

Product	Fixed Discharge Type (Saginomiya conventional)	Energy Saving Type HTP-55W	
Electric Power	165,000	67,700	kWh/Year
Electric Rate	2,475,000	1,015,500	JPY/Year

Can save JPY 1.45 million or more

* Estimated under the conditions of annually 3000 hour operation and electric rate of 15 JPY/ kWh, based on measured results for actuated waveform (Belgian Road) actuation to test system (4 poster).

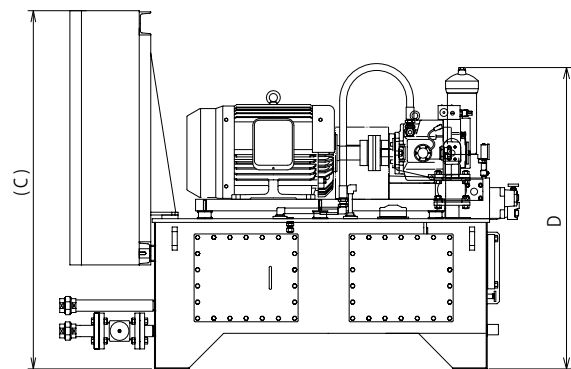
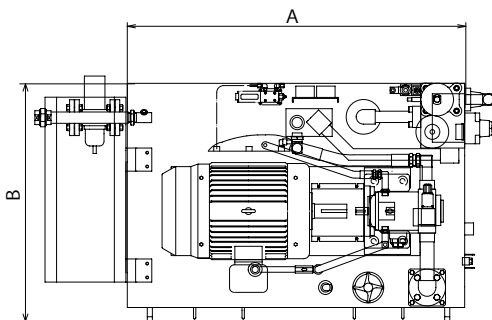
Specifications

Model HTP-		37W	45W	55W	75W
Maximum Flow Rate	L/min	93	114	139	190
Cooling Water Capacity	L/min	95	120	170	200
Oil Capacity	L	350	350	400	600
Weight	kg	1500	1600	1700	2700
Maximum Current Consumption	kVA	48	58	69	95
Dimensions	A	mm	1440	1440	1680
	B		1030	1030	1110
	C		(1550)	(1550)	(1750)
	D		1305	1405	1605

* Multi type for large flow volume is also available.

Dimensions

* Refer to the dimensions and specifications above.



※ Options: Low-frequency wave soundproofing box, (full cover type, partial cover type), Oil pan.

SAGINOMIYA

SEISAKUSHO, INC.

<http://www.saginomiya-global.com/en/>

Testing Equipment Tel : +81 3 6205 9126 Fax : +81 3 6205 9127
 Sales Department Shinjuku Garden Tower 22F
 8-2, Okubo 3-chome, Shinjuku-ku, Tokyo, 169-0072 Japan
E-mail dynamic-servo@saginomiya.co.jp

Osaka Sales Office Tel : +81 6 6385 8011 Fax : +81 6 6384 0859
 10-28, Hiroshibacho, Suita-shi, Osaka, 564-0052 Japan

Nagoya Sales Office Tel : +81 52 224 7120 Fax : +81 52 224 7121
 1-13, Simizu 4-chome, Kita-ku, Nagoya-shi, Aichi, 462-0844 Japan



NOTES FOR SAFETY

Failure to read and follow all instruction carefully before installing or operating the product could cause personal injury and / or property damage.

Specifications are subject to change without notice.