

Electric Servo Test System

BCH SERIES (201 Type)
Portal frame and electric crosshead system



● *Clean*

Environmentally friendly,
using no oil.

● *Compact*

Thin frame, making it more
space-efficient.

● *Convenient*

Combined high performance
and ease of use results in
quick testing.

Electric Servo Test System

Easy to operation and maintain low operating cost.

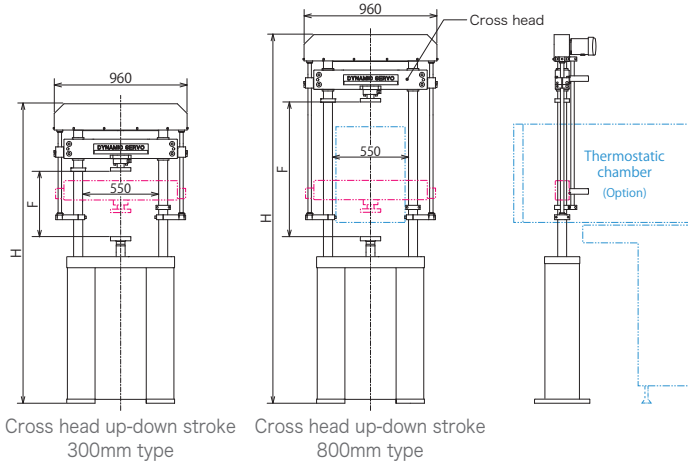
Specifications

Model 201-		201		202		203		204		205		206	
Cross head up-down stroke	mm	300	800	300	800	300	800	300	800	300	800	300	800
Sine wave force	kN	5				10				25			
Static force	kN	2.5				5				12.5			
Max. Stroke	mm	±50		±100		±50		±100		±50		±100	
Max. distance between flanges [F]	mm	475	975	575	1075	475	975	575	1075	475	975	575	1075
Main frame dimensions Height [H]	mm	1988	2488	2238	2738	2302	2802	2552	3052	2502	3002	2752	3252
Weight	kg	515	540	535	560	600	625	620	645	690	715	710	740
Power Supply	ACV, Hz	200 3-phase, 50/60											
	kVA	6				15				17			

* In addition to the above, high speed, high acceleration, high load types are also available. Please contact our sales representative for detailed specifications.

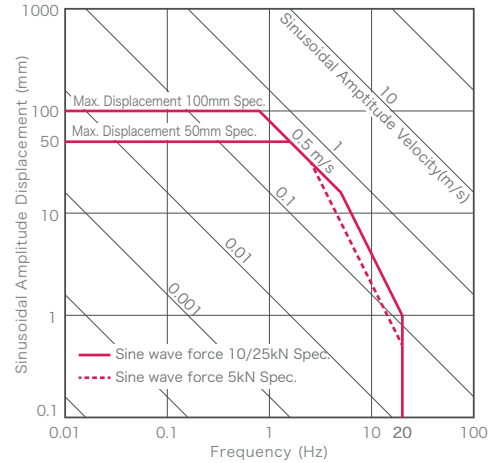
Dimensions

* As H, F dimension, Please refer to the data of Specifications.



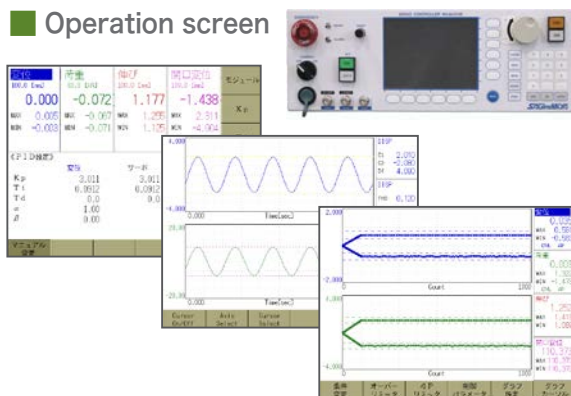
Performance Curve

* The figure below shows the limit performance at no load.



Controller M2430

Operation screen



Controller Specifications

Control Mode	Displacement, load, external signal input (2ch)
Waveform	sine wave, triangular wave, square wave, ramp wave, sweep wave
Schedule Function	Up to 100 steps, up to 2×10^9 repeats (random scheduling standard wave, ramp wave and sweep wave)
Control Range	auto range
Limiter Function	Over limiter, 4-point limiter
Monitor Output	$\pm 10V$ (range settable), 3ch (channel settable), BNC output
Dimensions/Weight	W420xD380xH149/ 13kg
Power Supply	AC100V 500VA

* Option: Data analysis software, Chamber.

SAGINOMIYA

SEISAKUSHO, INC.

<http://www.saginomiya-global.com/en/>

Testing Equipment Sales Department Tel : +81 3 6205 9126 Fax : +81 3 6205 9127
 Shinjuku Garden Tower 22F
 8-2, Okubo 3-chome, Shinjuku-ku, Tokyo, 169-0072 Japan
E-mail dynamic-servo@saginomiya.co.jp

Osaka Sales Office Tel : +81 6 6385 8011 Fax : +81 6 6384 0859
 10-28, Hiroshibacho, Suita-shi, Osaka, 564-0052 Japan

Nagoya Sales Office Tel : +81 52 224 7120 Fax : +81 52 224 7121
 1-13, Simizu 4-chome, Kita-ku, Nagoya-shi, Aichi, 462-0844 Japan



NOTES FOR SAFETY

Failure to read and follow all instruction carefully before installing or operating the product could cause personal injury and / or property damage.

Specifications are subject to change without notice.