

# 2-WAY & 3-WAY CONTROL VALVES

Type NVK

SAGInoMIYA

## GENERAL DESCRIPTION

- Type NVK control valves are accompanied by Saginomiya type WGK motor for two position (On-Off), floating or proportional control.
- For use with low or high pressure hot and chilled water or non-corrosive fluid.
- NVK ... 2-way valve (single seated type)  
NVK-W ... 2-way valve (double seated type)  
NVK-M ... 3-way valve (mixing valve)
- Wide model selection available for various applications.
- V-port plug provides almost linear flow characteristic.



Type NVK-G



Type NVK-F

## TYPE NUMBER SELECTION (SPECIFICATIONS)

### Type NVK – 2-way valve

Item \ Model	NVK- * * * * GL	NVK- * * * * FL	NVK-W * * * * FL
Connection	Rc	Flange (JIS 10K)	Flange (JIS 10K)
Fluid	Non-corrosive Water and Steam		
Max. Working Press.	0.98MPa {10 kgf/cm <sup>2</sup> }		0.98MPa {10 kgf/cm <sup>2</sup> }
Fluid Temp. (°C)	0 to 200		0 to 200
Flow Characteristic	Equal Percentage		
Material of Body	CAC406	FC200	FC200
Material of Plug	SCS14		
Material of Seat Ring	SUS316		
Material of Stem	SUS304		

### Type NVK-M – 3-way valve

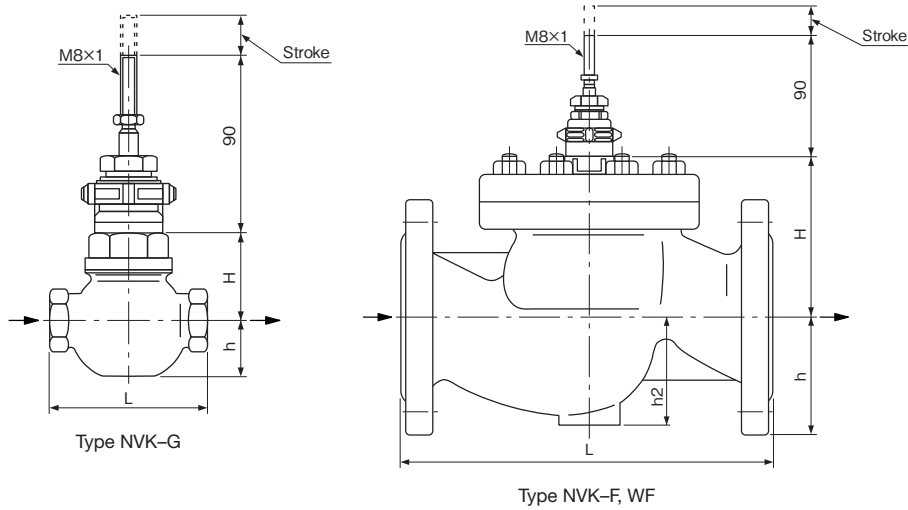
Item \ Model	NVK-M * * * * GL	NVK-M * * * * FL
Connection	Rc	Flange (JIS 10K)
Fluid	Non-corrosive Water for Air conditioning	
Max. Working Press.	0.98MPa {10 kgf/cm <sup>2</sup> }	
Fluid Temp. (°C)	0 to 200	
Flow Characteristic	Equal Percentage	
Material of Body	CAC406	FC200
Material of Plug	SCS14	
Material of Seat Ring	SUS316	
Material of Stem	SUS304	

Type NVK – 2-way valve

Catalog No.	Port Size (mm)	Connection		Cv Value	Stroke (mm)	Close off Rating MPa {kgf/cm <sup>2</sup> }			Dimensions (mm)			Wt. (kg)
		Tube O.D.	Style			WGK-N*A	WGK-N*S	WGK-N*L	L	H	h (h2)	
NVK-	1504GL@1	15	1/2"	Rc	20	0.98 {10}	0.98 {10}	0.98 {10}	80	43	28	0.9
	1504GL@2											
	1504GL											
	2006GL	20	3/4"	Rc	20	0.98 {10}	0.98 {10}	0.98 {10}	90	48	29	0.95
	2510GL											
	3212GL	25	1"	Rc	20	0.98 {10}	0.98 {10}	0.98 {10}	105	50	30	1.6
	4014GL											
	4014GL	40	1-1/2"	Rc	30	0.98 {10}	0.98 {10}	0.98 {10}	120	60	35	2.4
	5020GL											
	5020GL	50	2"	Rc	30	0.98 {10}	0.98 {10}	0.98 {10}	140	68	46	3.6
	6524FL											
6524FL	65	2-1/2"	Flange (JIS 10K)	30	0.98 {10}	0.98 {10}	0.98 {10}	276	125	87.5	19.9	
8030FL												
8030FL	80	3"	Flange (JIS 10K)	40	0.98 {10}	0.98 {10}	0.98 {10}	298	149	92.5	25	
10040FL												
10040FL	100	4"	Flange (JIS 10K)	40	0.98 {10}	0.98 {10}	0.98 {10}	352	169	105	36	
4014FL@1												
NVK-W	4014FL@1	40	1-1/2"	Flange (JIS 10K)	20	0.98 {10}	0.98 {10}	-	222	110	70	10.5
	4014FL											
	5020FL											
	6524FL	65	2-1/2"	Flange (JIS 10K)	30	0.98 {10}	0.98 {10}	-	276	129	(80)	13.5
	8030FL											
	8030FL	80	3"	Flange (JIS 10K)	40	0.98 {10}	0.98 {10}	-	298	156	(115)	28.5
	10040FL											
	10040FL	100	4"	Flange (JIS 10K)	40	0.98 {10}	0.98 {10}	-	352	187	(150)	46.5
	12550FL											
	12550FL	125	5"	Flange (JIS 10K)	45	0.98 {10}	0.98 {10}	-	403	208	(153)	63.3
	15060FL											
15060FL	150	6"	Flange (JIS 10K)	45	0.98 {10}	0.98 {10}	-	451	225	(170)	90.6	
20080FL												
20080FL	200	8"	Flange (JIS 10K)	45	0.98 {10}	0.98 {10}	-	543	278	(212)	167	
250100FL												
250100FL	250	10"	Flange (JIS 10K)	45	0.98 {10}	0.98 {10}	-	673	319	(232)	251	

- Cv ... Flow (L/min) passing through the valve at full opening when water temperature is 15°C and pressure difference across the valve is 0.00048 MPa {0.0049 kgf/cm<sup>2</sup>}
- The dimension value bracketed off by ( ) shows "h2" value due to "h2" value being bigger than the one of "h".

DIMENSIONS



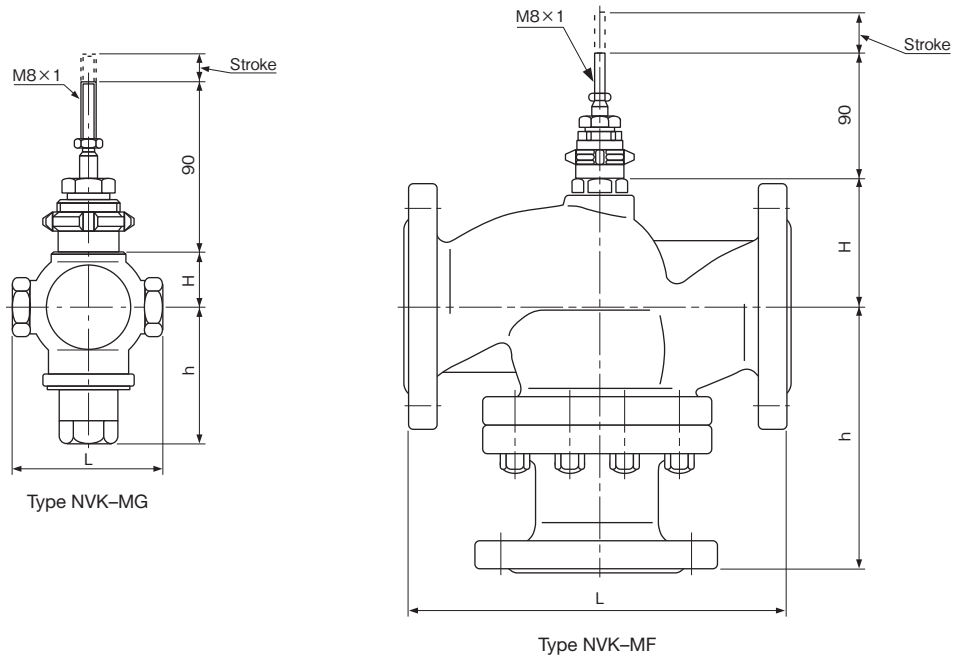
Unit: mm

Type NVK 3-way valve (used as a mixing valve)

Catalog No.	Port Size (mm)	Connection		Cv Value	Stroke (mm)	Close off Rating MPa {kgf/cm <sup>2</sup> }			Dimension (mm)			Wt. (kg)	
		Tube O.D.	Style			WGK-N*A	WGK-N*S	WGK-N*L	L	H	h		
<b>NVK-M</b>	1504GL	15	1/2"	Rc	5	20	0.98 {10}	0.38 {3.9}	0.98 {10}	80	29	72	1.1
	2006GL	20	3/4"		8					73	1.12		
	2510GL	25	1"		12					90	32	77	1.45
	3212GL	32	1-1/4"		20		105	38		80	1.95		
	4014GL	40	1-1/2"		30		120	43		84	2.7		
	5020GL	50	2"		45		140	51		97	4.17		
	6524FL	65	2-1/2"	Flange (JIS 10K)	70	30	0.28 {2.9}	0.044 {0.45}	0.48 {4.9}	276	92	185	24.5
	8030FL	80	3"		110		0.19 {1.9}	0.028 {0.29}	0.31 {3.2}	298	106	215	31
	10040FL	100	4"		180		0.12 {1.2}	-	0.2 {2}	352	131	238	42
	12550FL	125	5"		260		0.08 {0.8}		0.13 {1.3}	403	149	263	64.5
	15060FL	150	6"		380		0.05 {0.5}		0.09 {0.9}	451	173	288	92

· Cv ... Flow (L/min) passing through the valve at full opening when water temperature is 15°C and pressure difference across the valve is 0.00048 MPa {0.0049 kgf/cm<sup>2</sup>}

DIMENSIONS



Unit: mm